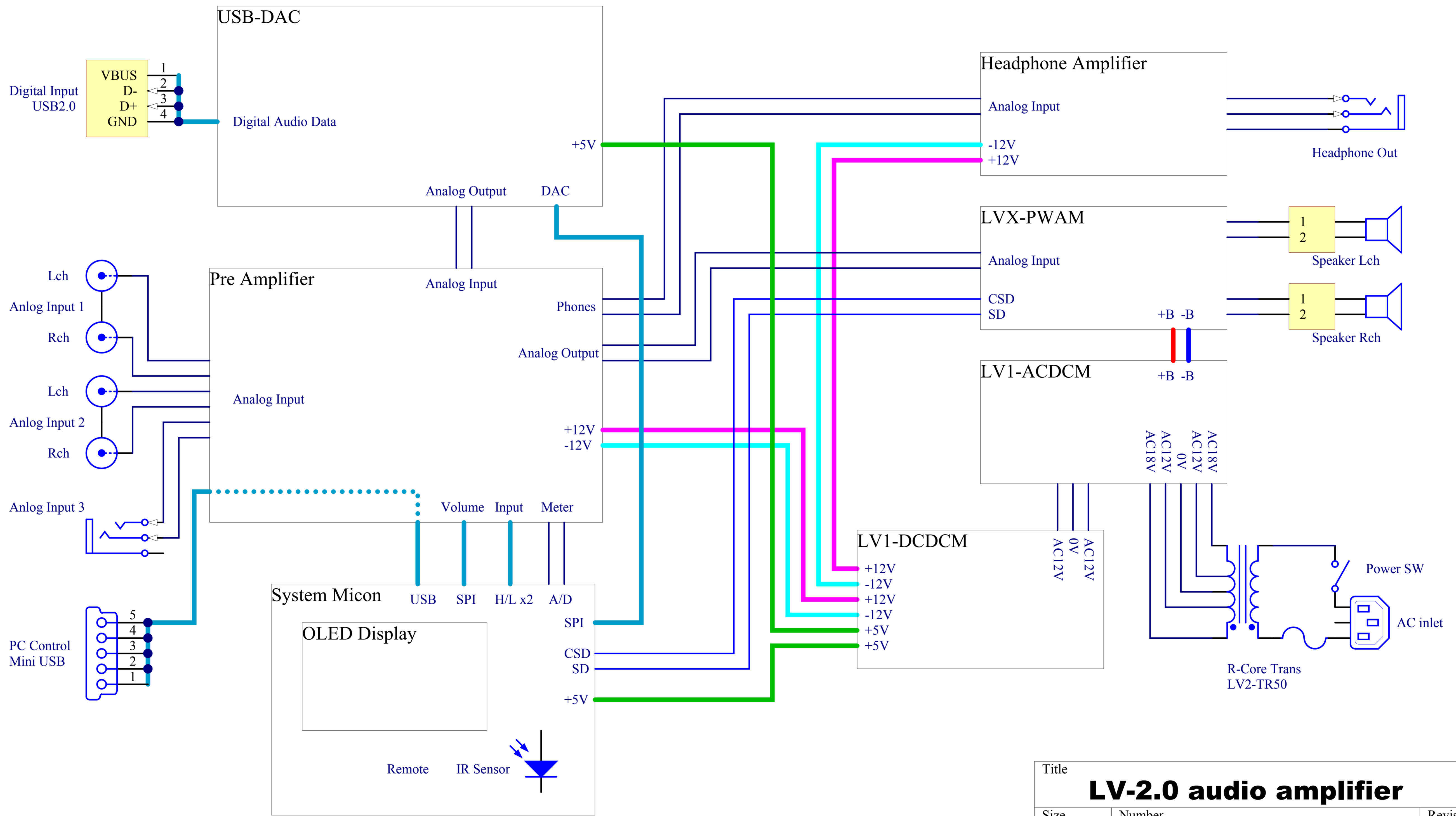


# LV-2.0 Premium Block Diagram



Title		
<b>LV-2.0 audio amplifier</b>		
Size	Number	Revision
A4		1.0
Date:	2013/12/02	Sheet of
File:	C:\yasu\LV-2_Premium_block diagram	Drawn By: Nishimura