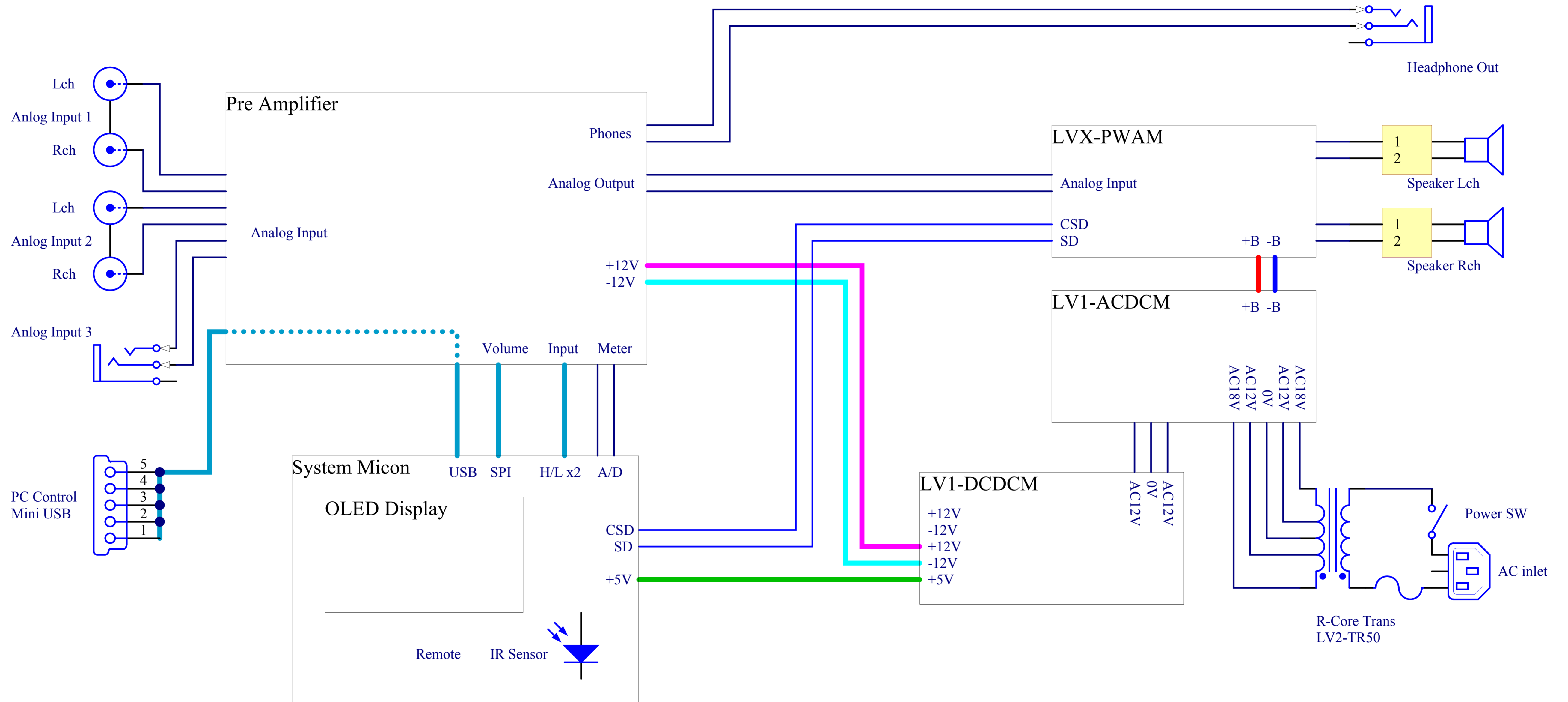


LV-2.0 Basic Block Diagram



Title		
LV-2.0 audio amplifier		
Size	Number	Revision
A4		1.0
Date:	2013/12/02	Sheet of
File:	C:\yasu\LV-2_Basic_block diagram_Rev1.0_Sch Doc	10 of 10