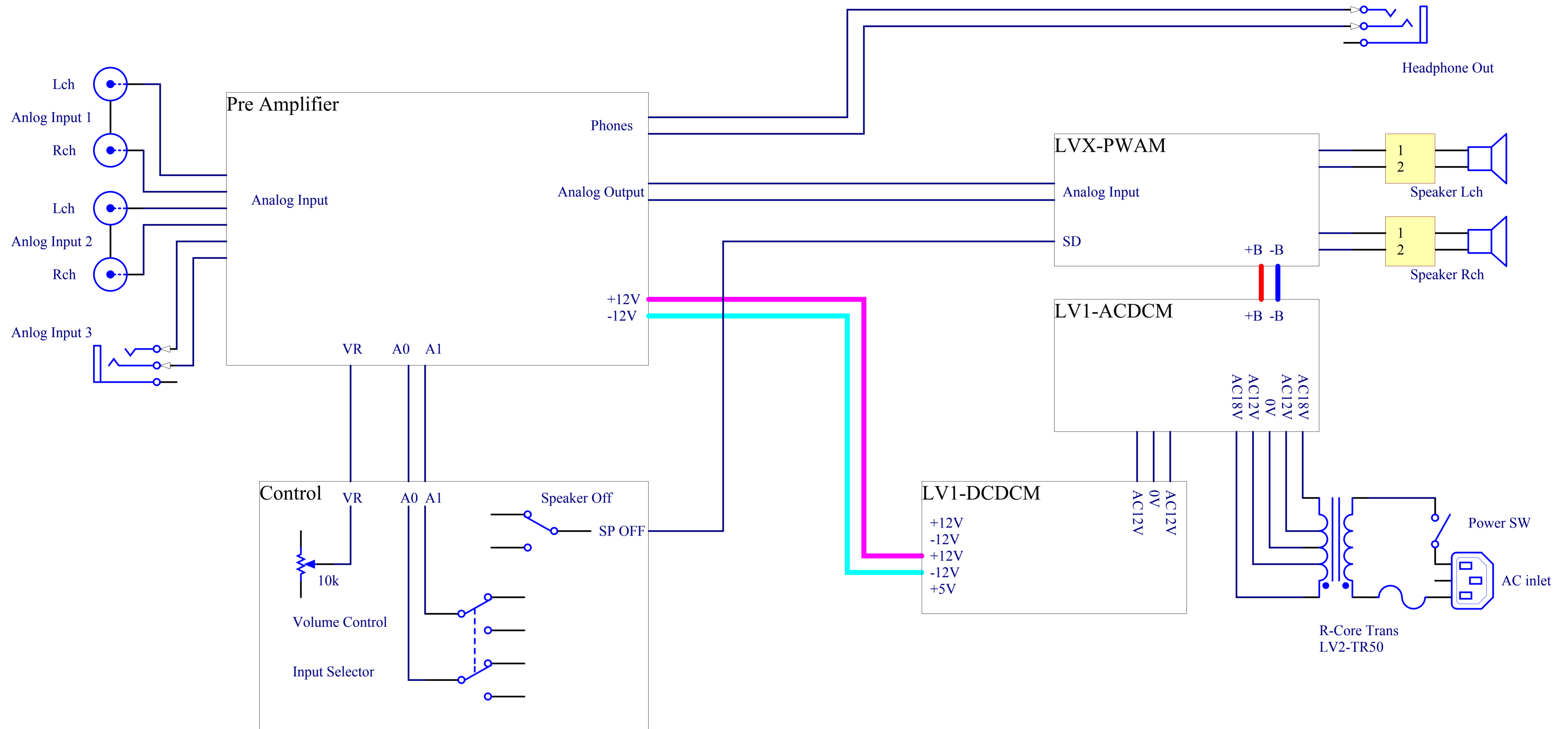


LV-2.0 Mini Block Diagram



Title		
LV-2.0 audio amplifier		
Size	Number	Revision
A4		1.1
Date:	2015/02/19	Sheet of
File:	G:\LV_Project\...LV-2_Mini_block diagram Drawn By SchDoc	